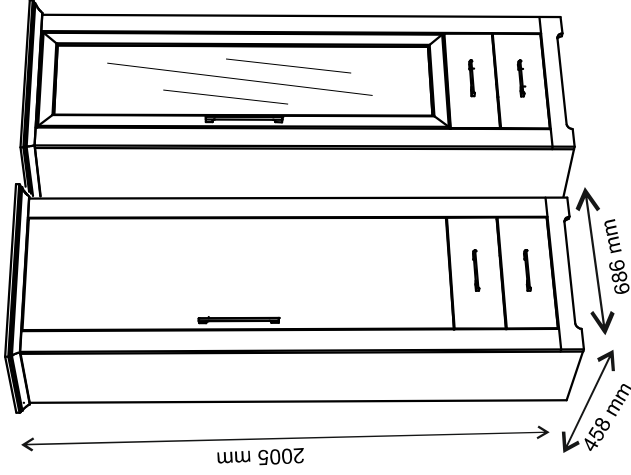
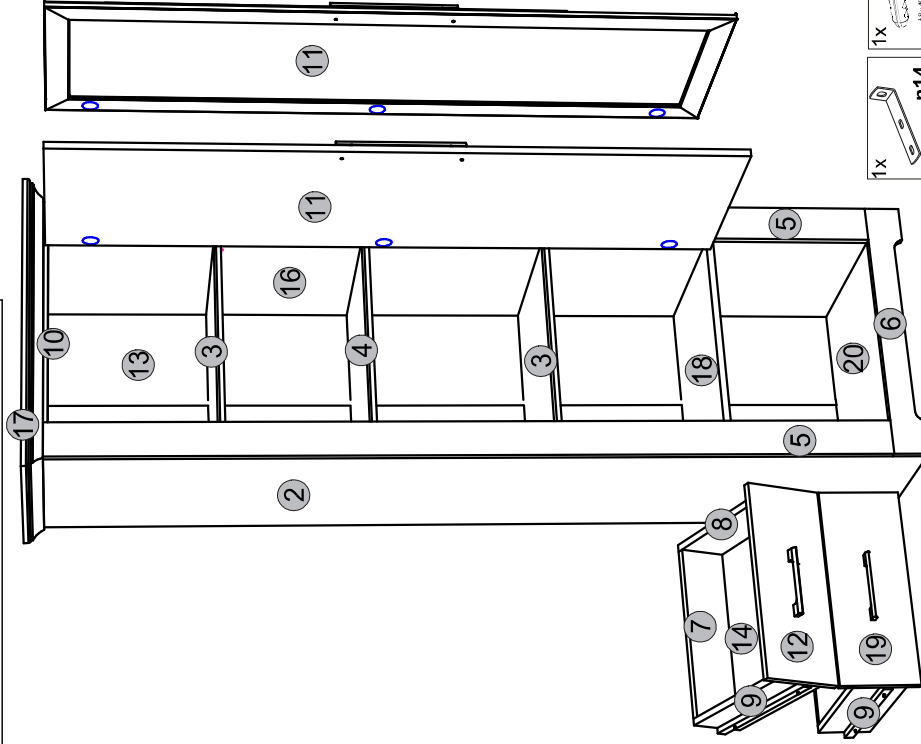
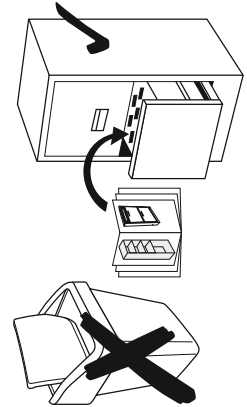
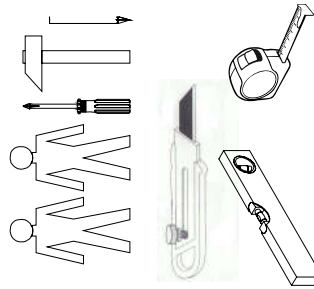
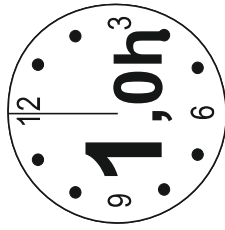
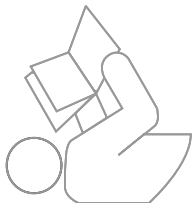


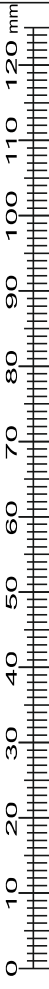
Instalation manual

ARSAL: REG 1D2S, WIT 1W2S

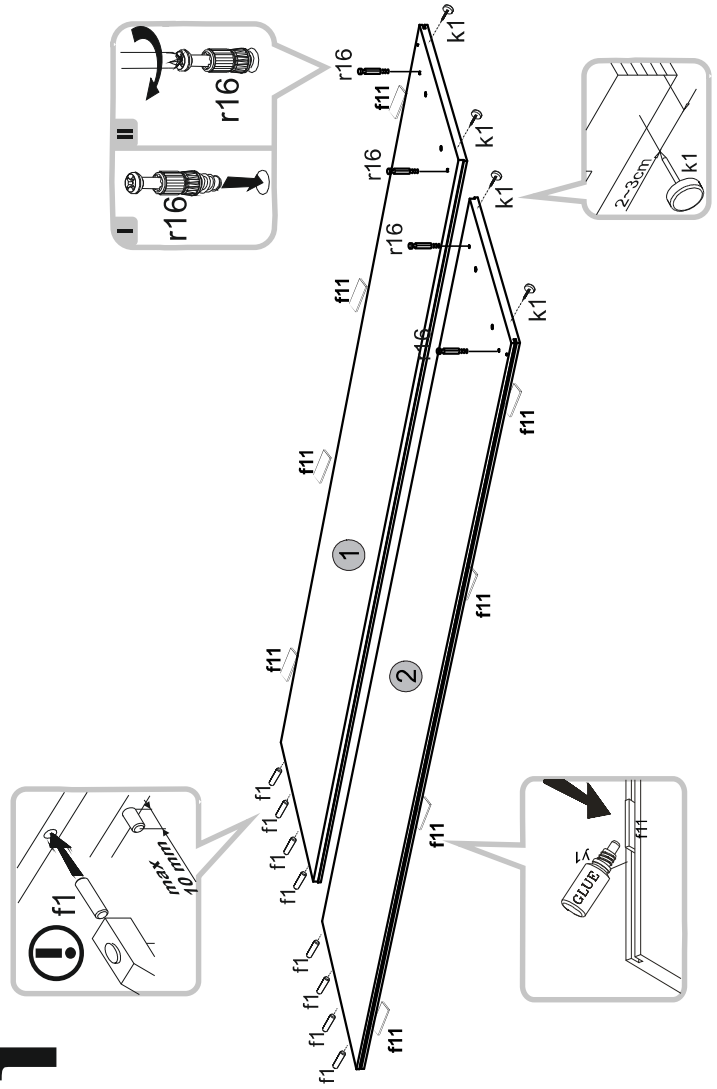


Element symbol	Dimensions	Code	Package
1	1984 404	REG_1W2S_1D2S_2S.001	1/1
2	1984 404	REG_1W2S_1D2S_2S.002	1/1
3	454 390	REG_1W2S_1D2S_2S.008	2/2
4	454 390	REG_1W2S_1D2S_2S.009	2/2
5	1904 80	REG_1W2S_1D2S_2S.010	1/1
6	612 80	REG_1W2S_1D2S_2S.012	1/1
7	396 120	REG_1W2S_1D2S_2S.013	2/2
8	350 120	REG_1W2S_1D2S_2S.014	2/2
9	350 120	REG_1W2S_1D2S_2S.015	2/2
10	454 60	REG_1W2S_1D2S_2S.016	2/2
11	1502 446	REG_1W2S_1D2S_2S.028	3/3
12	446 180	REG_1W2S_1D2S_2S.029	2/2
13	1929 298	REG_1W2S_1D2S_2S.017	1/1
14	414 352	REG_1W2S_1D2S_2S.018	1/1
15	1904 401	REG_1W2S_1D2S_2S.003	1/1
16	1904 401	REG_1W2S_1D2S_2S.004	1/1
17	686 458	REG_1W2S_1D2S_2S.005	2/2
18	454 401	REG_1W2S_1D2S_2S.007	2/2
19	446 180	REG_1W2S_1D2S_2S.011	2/2
20	578 401	REG_1W2S_1D2S_2S.006	2/2

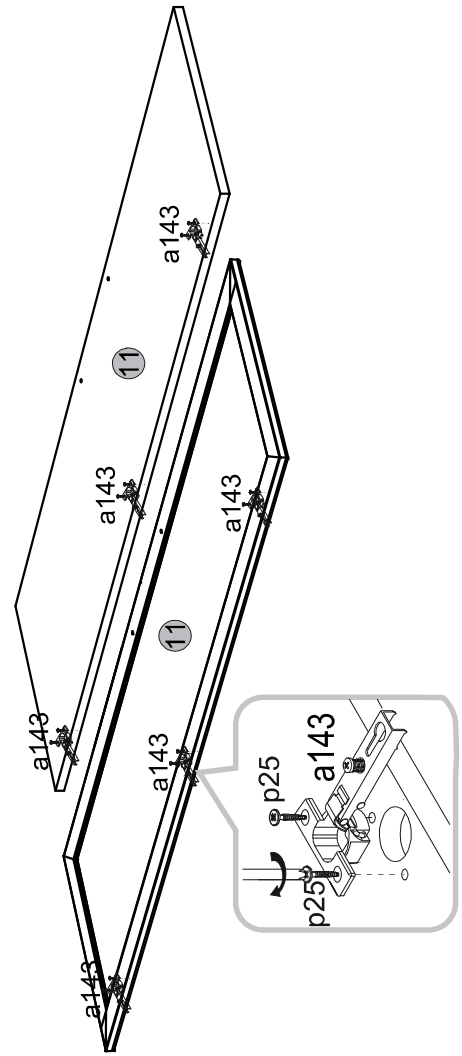
- 1x z1
- 1x f28
- 1x n14
- 2x p25
- 36x f1
- 34x e1
- 16x f11
- 2x s1
- 1x a143
- 1x n221.01
- 1x y1
- 2x L-350
- 8x d1
- 8x s4
- 60x i1
- 6x j8
- 6x s5
- 6x a143
- 12x f11
- 3x a143
- 3x b119
- 20x s2
- 20x r1
- 20x r16



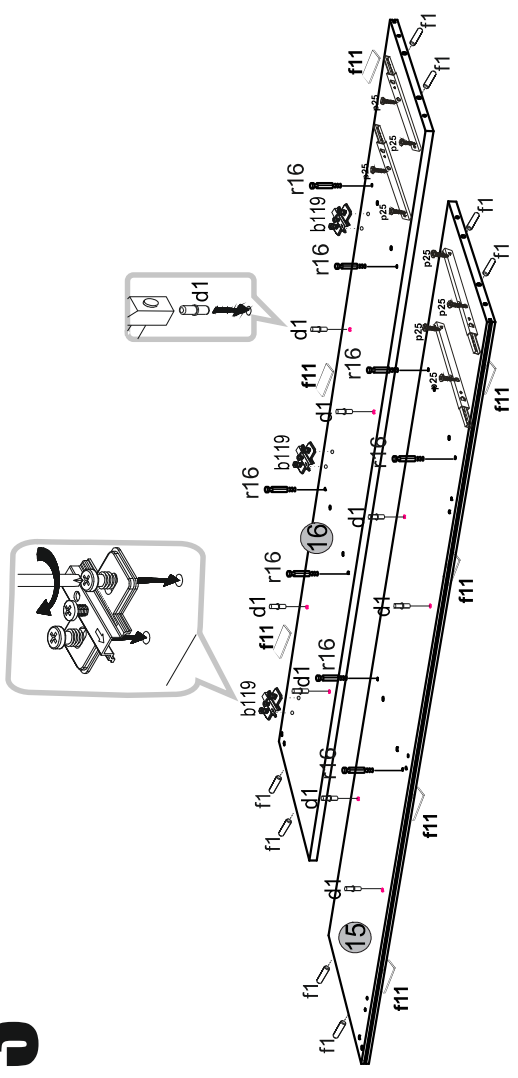
1



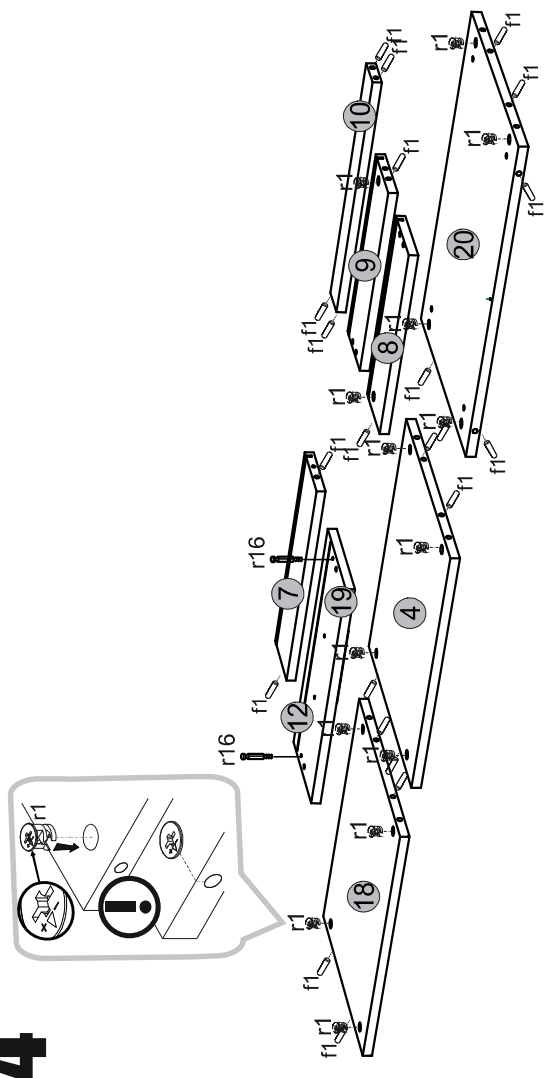
2



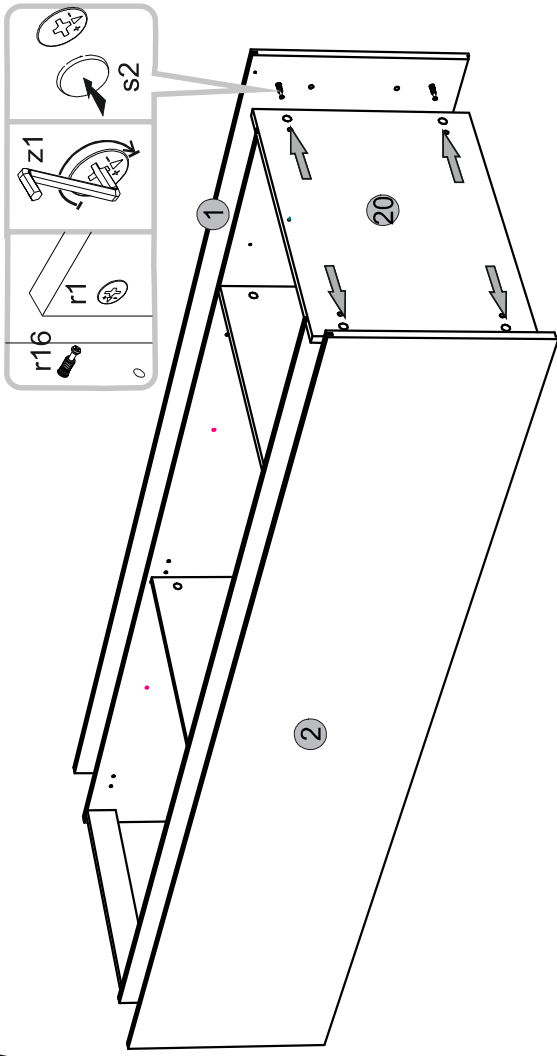
3



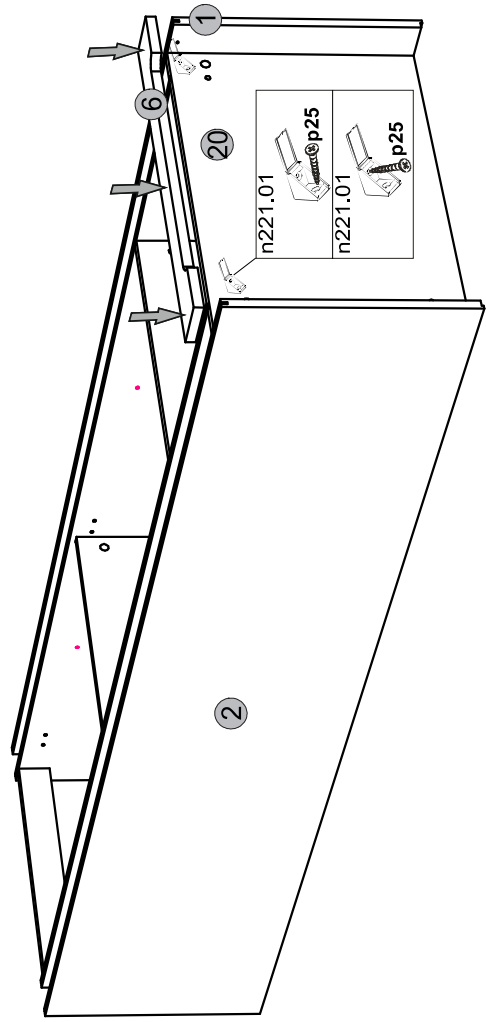
4



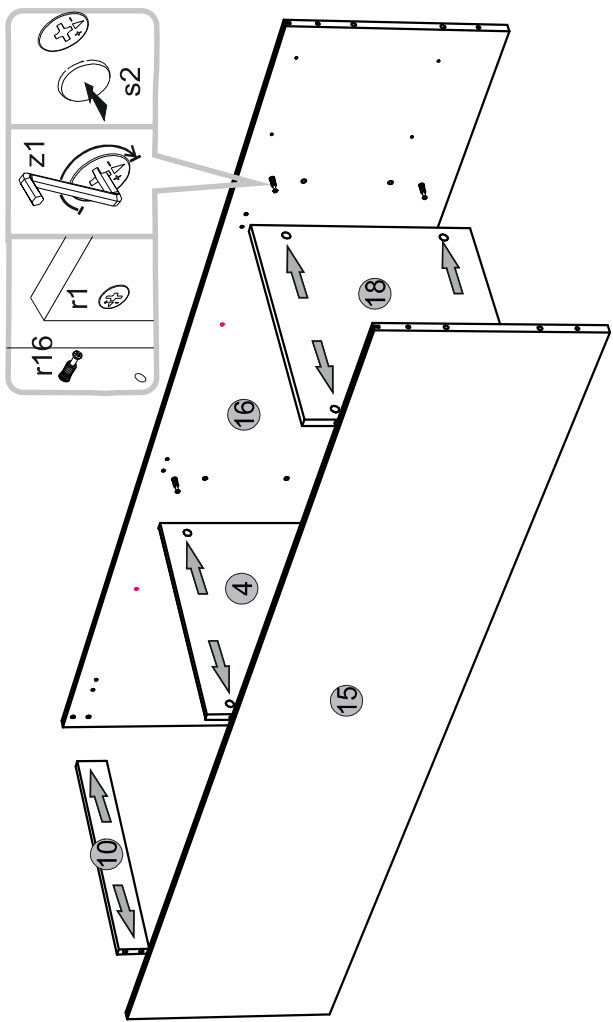
7



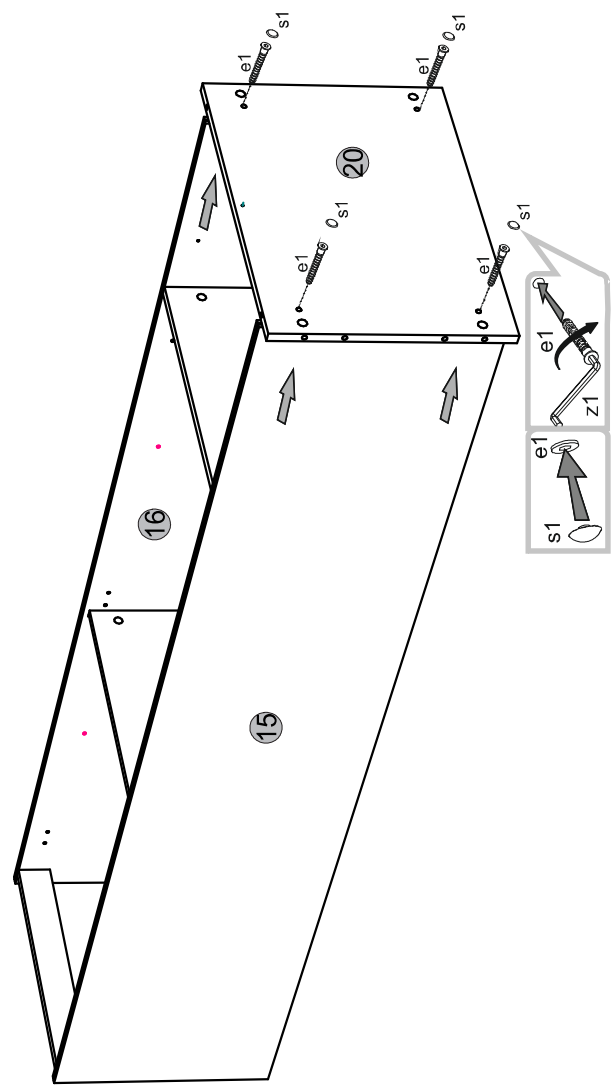
8



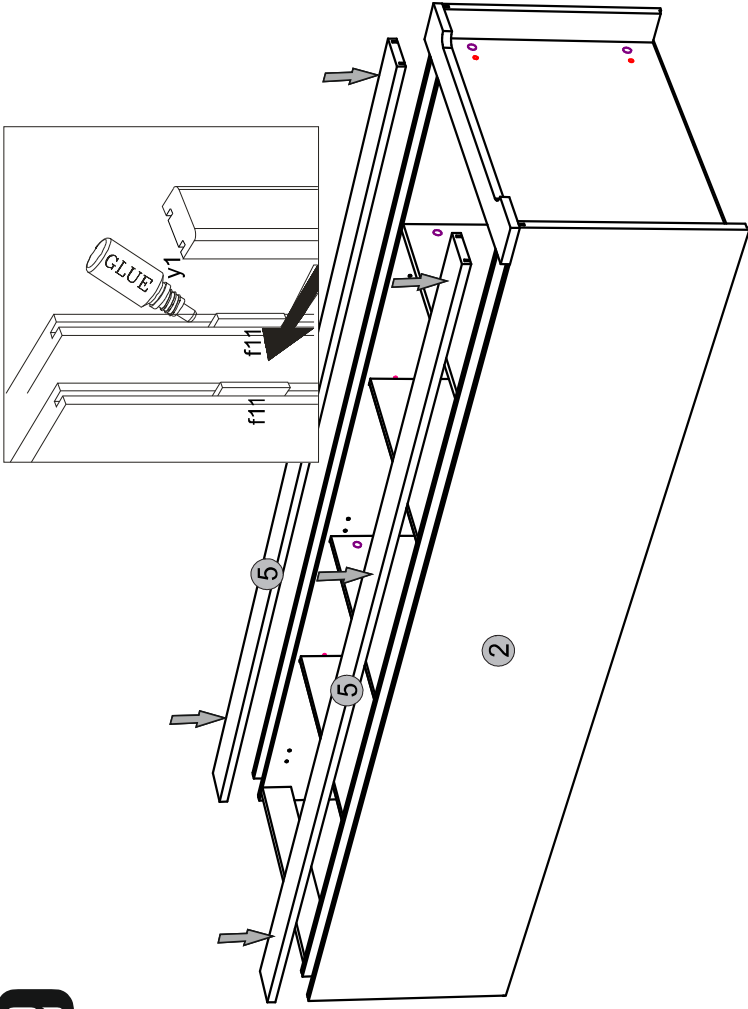
5



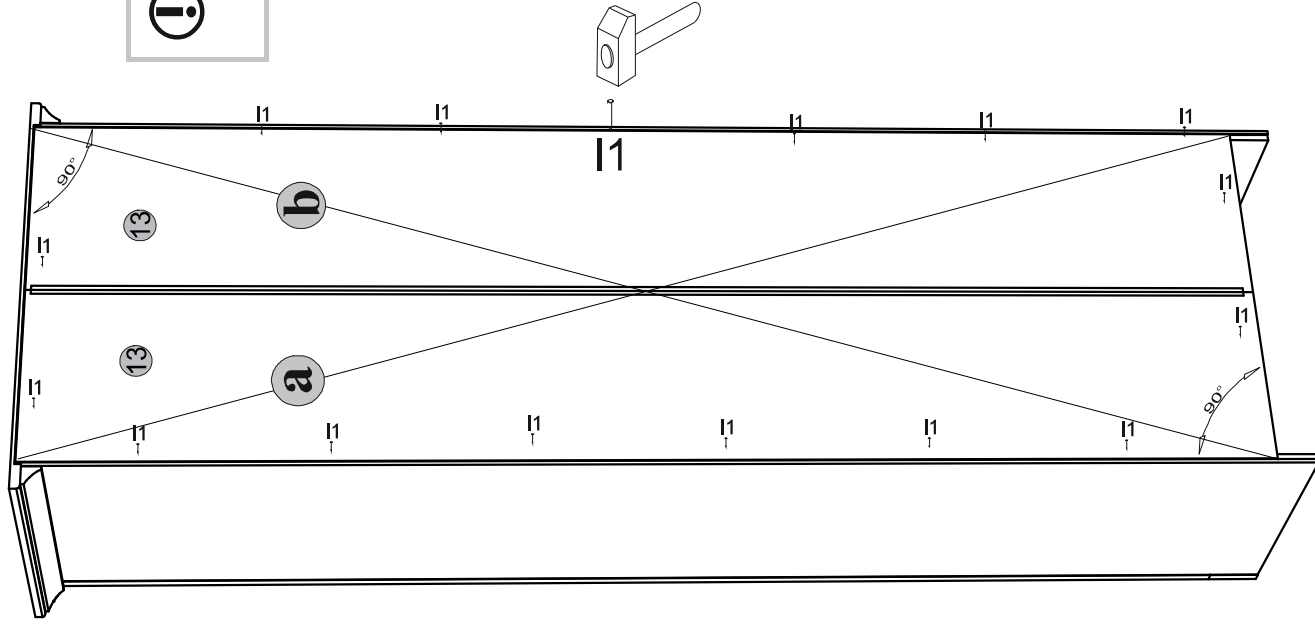
6



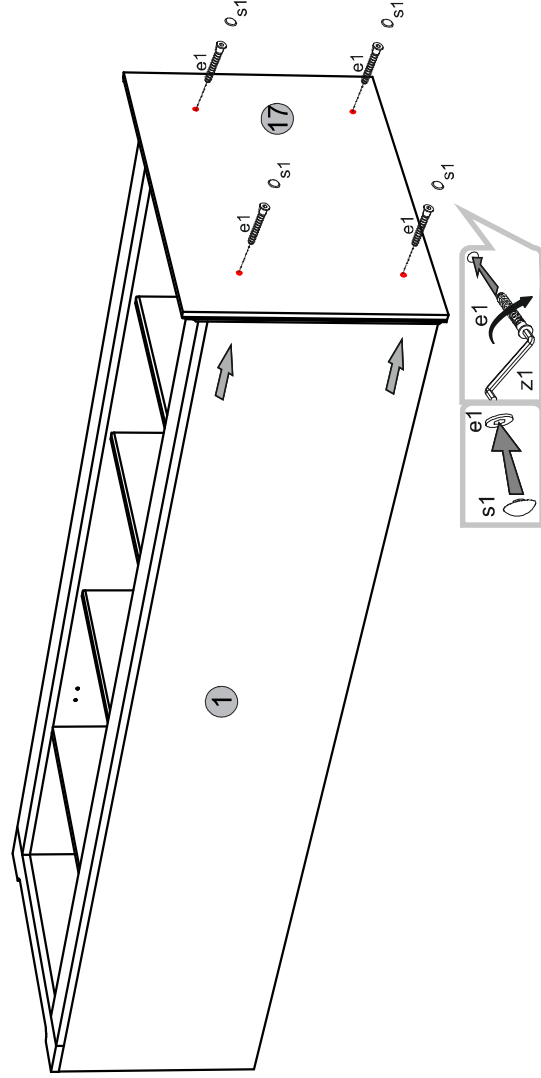
9

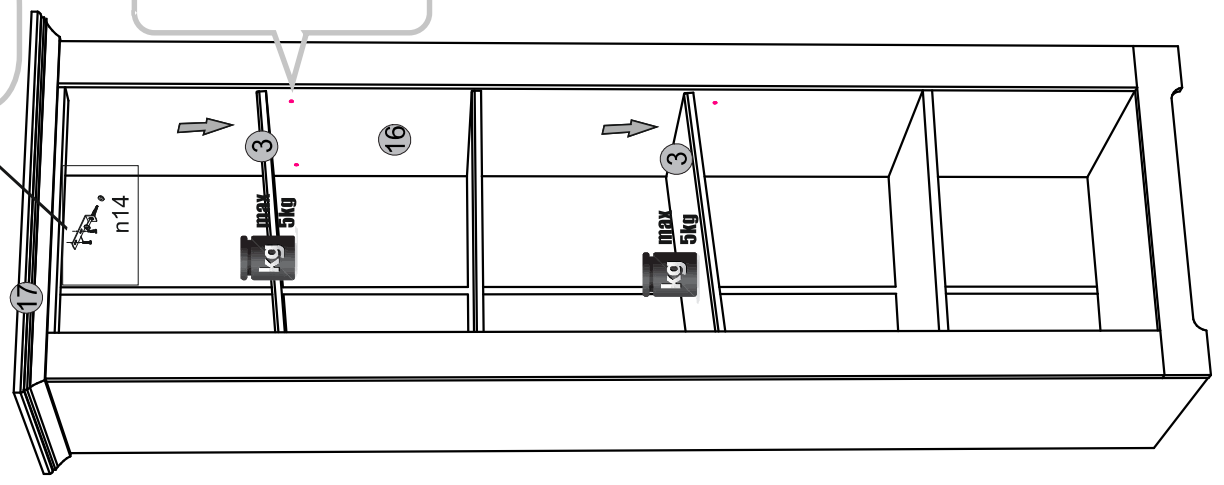
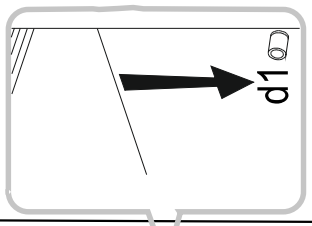
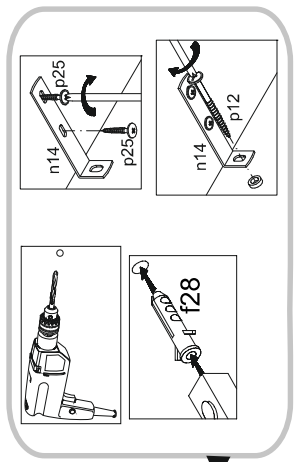


11

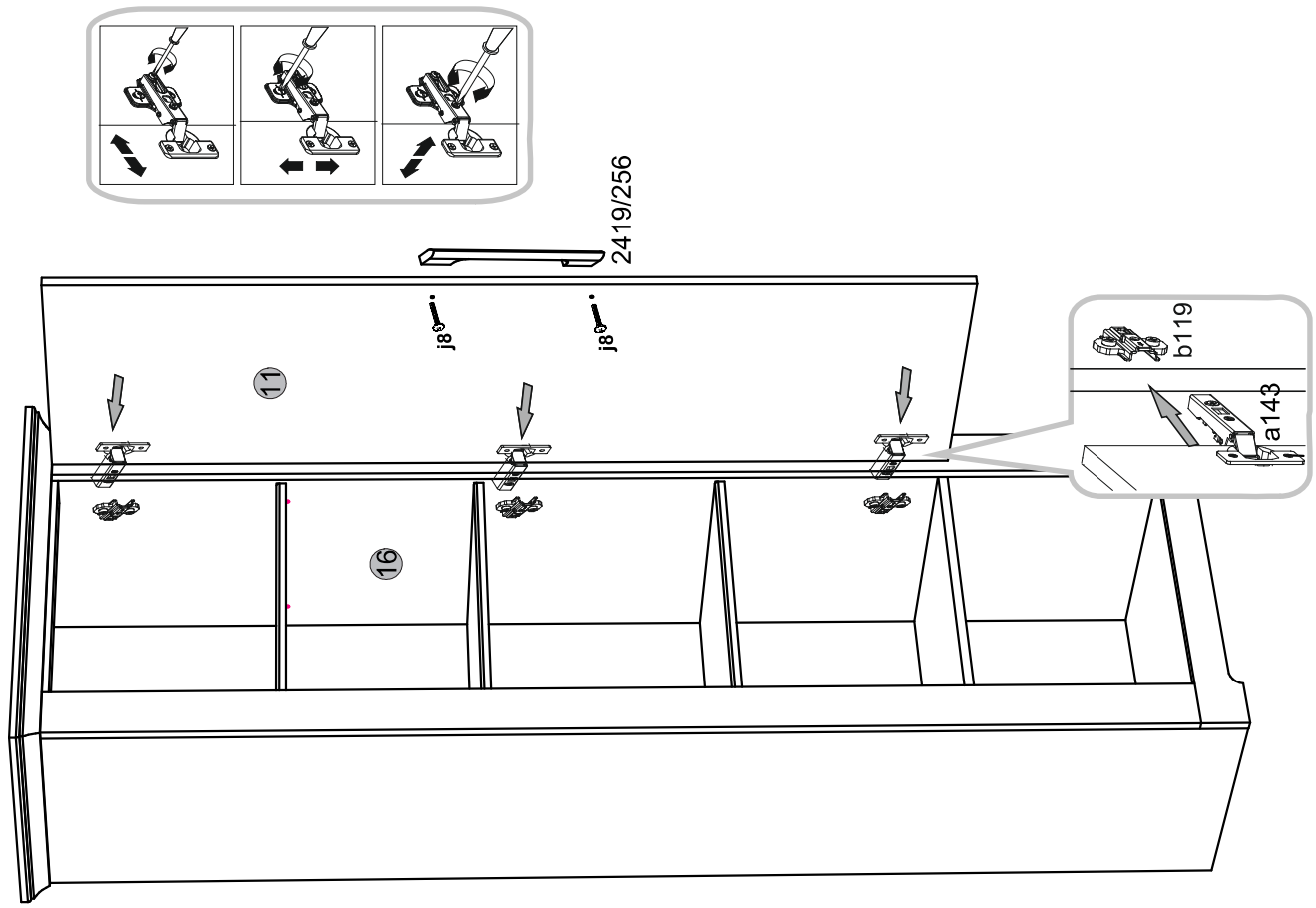


10

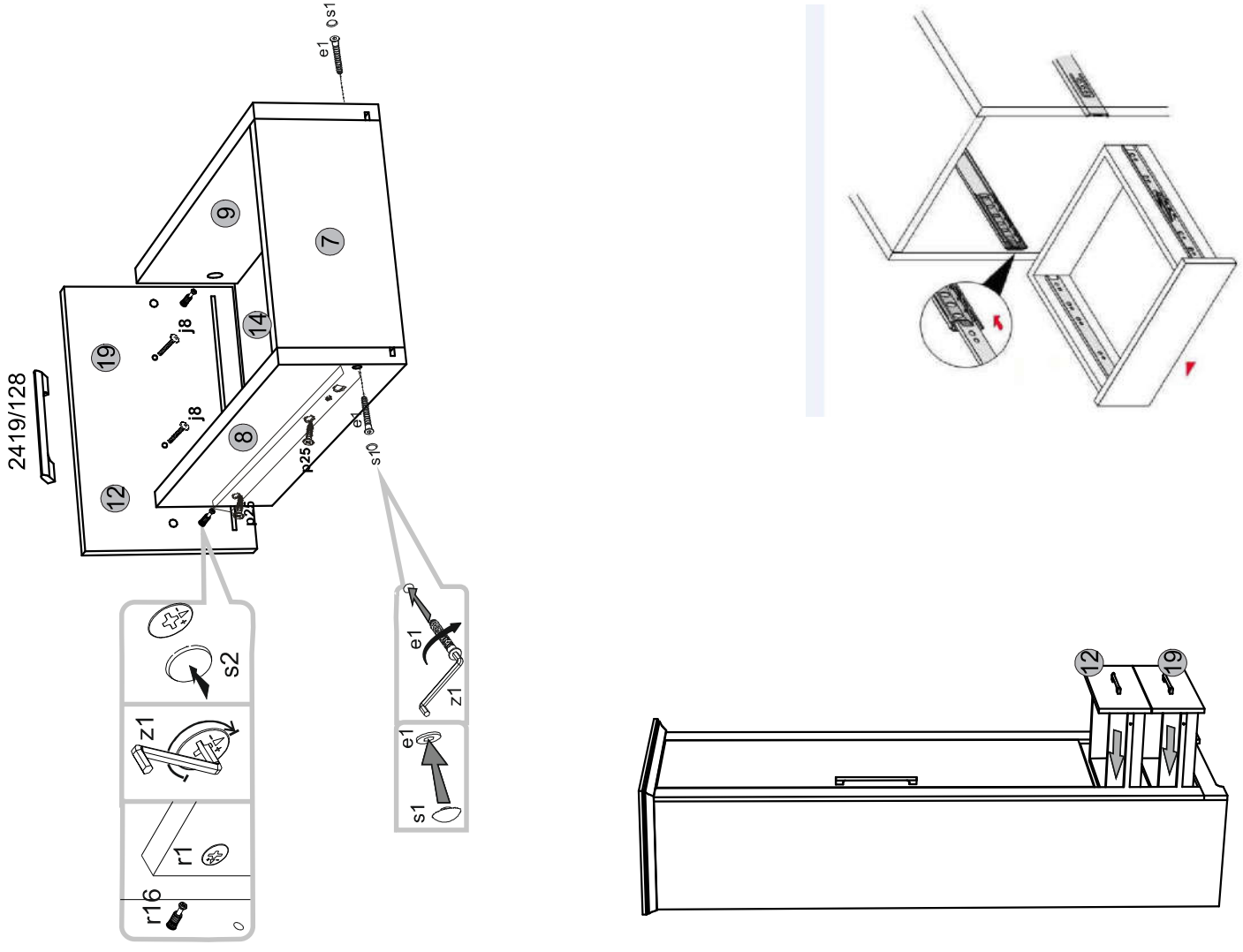




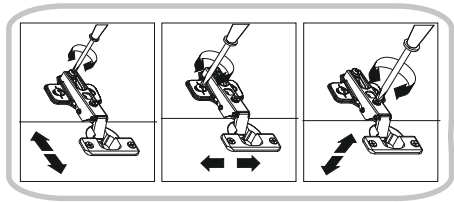
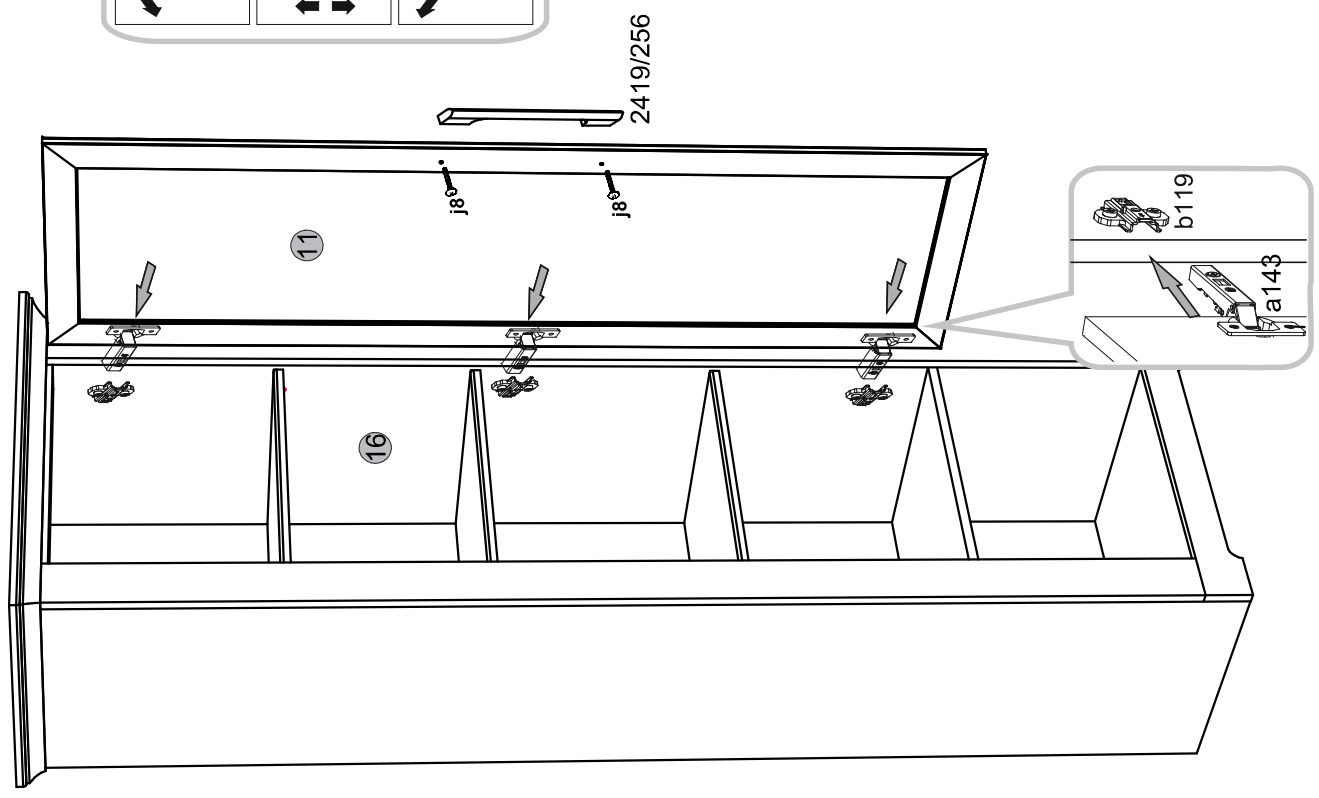
13



14



13



14

