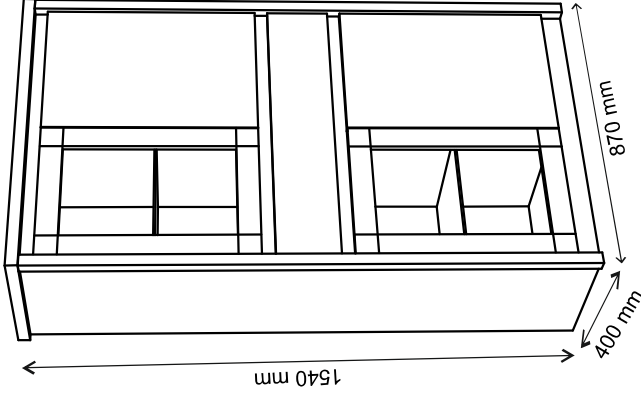
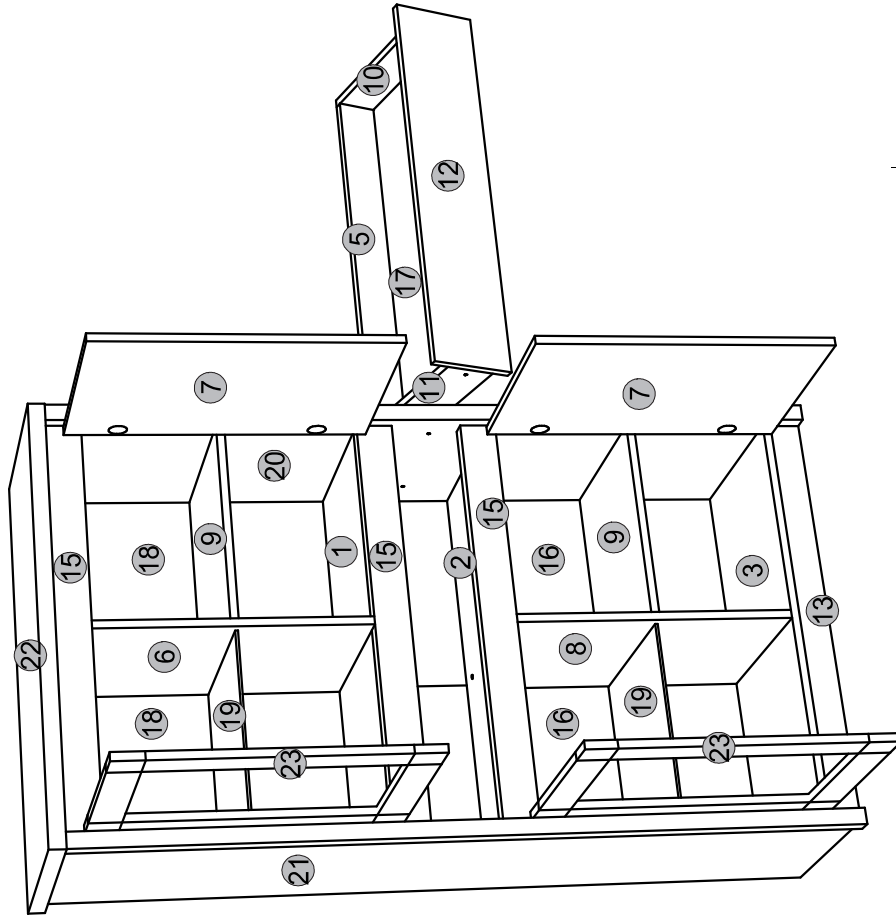
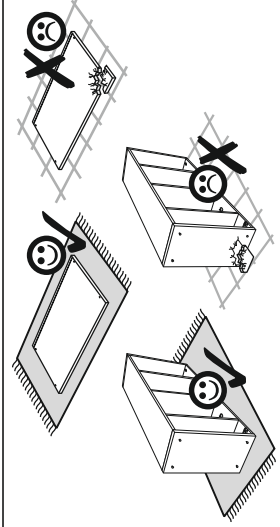
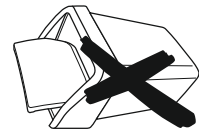
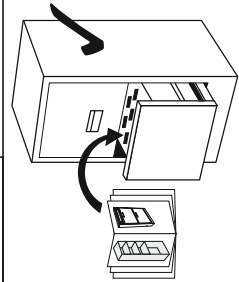
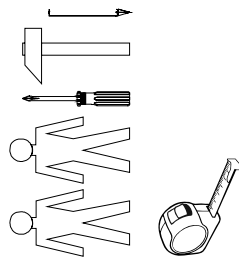
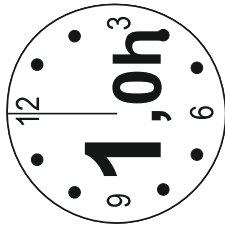
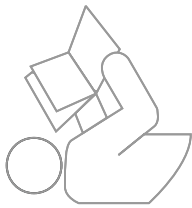


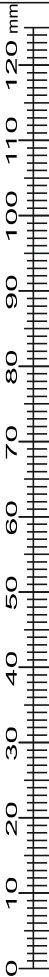
Installation manual

NORTON: WIT_2W2D1S

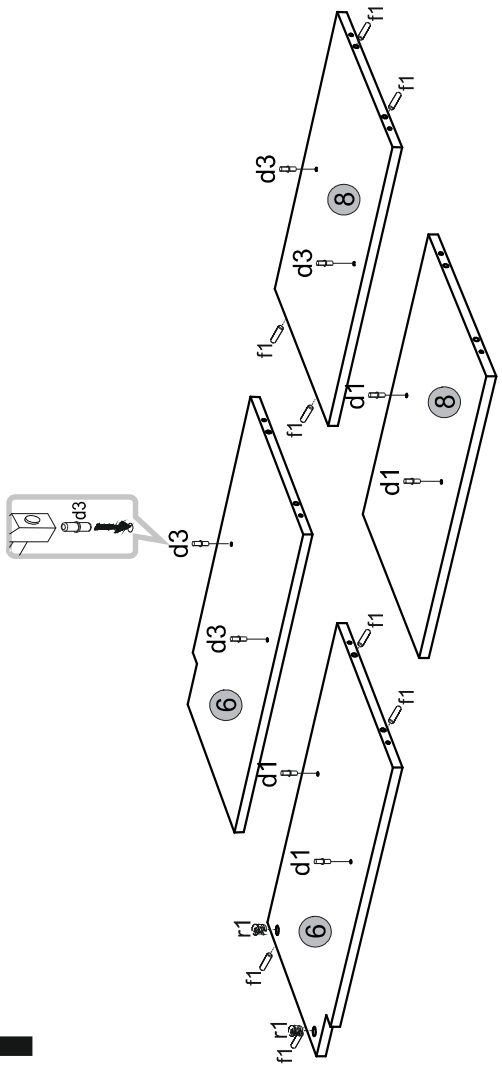


Element symbol	Dimensions			Code	Package	
1	804	339	16	1	K-326	2/2
2	804	339	16	1	K-327	2/2
3	804	369	16	1	K-328	1/1
4	747	100	16	1	K-533	2/2
5	747	100	16	1	K-534	2/2
6	617	369	16	1	K-134	1/1
7	582	398	16	2	K-004	3/3
8	549	369	16	1	K-135	1/1
9	394	369	16	2	K-329	1/1
10	350	100	16	1	K-535	2/2
11	350	100	16	1	K-536	2/2
12	170	798	16	1	K-016	3/3
13	60	804	16	1	K-428	2/2
14	60	318	16	1	K-429	2/2
15	60	804	30	3	K-430	2/2
16	832	410	3	2	K-624	2/2
17	761	332	3	1	K-625	2/2
18	635	410	3	2	K-626	2/2
19	394	369	5	2	K-330	1/1
20	1502	398	16/32	1	K-136	1/1
21	1502	398	16/32	1	K-137	1/1
22	870	400	16/32/32	1	K-211	2/2
23	582	398	16	2	K-017	4/4

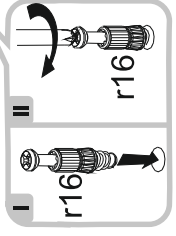
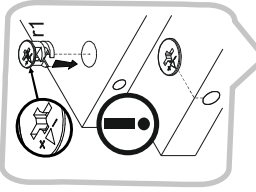
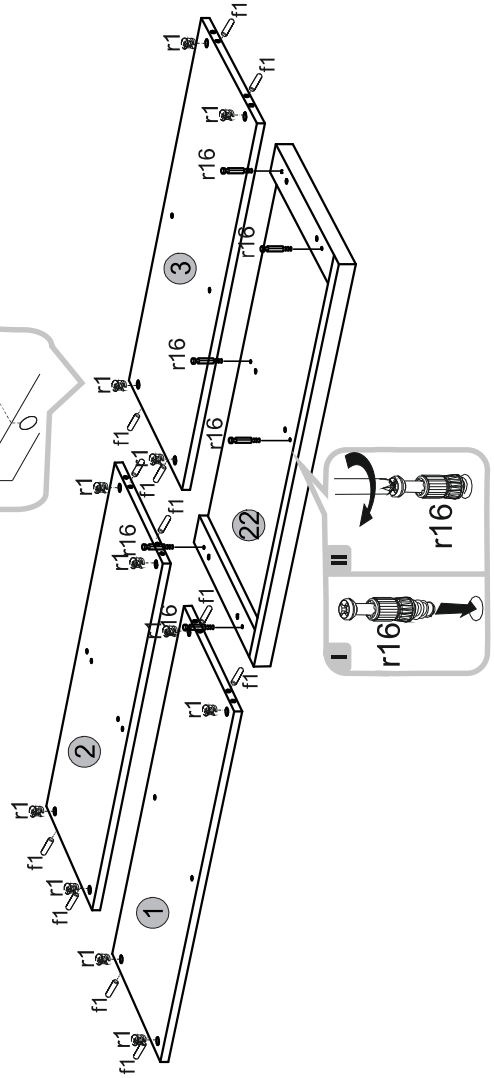
1x	6x560 mm	p17	1x	1x	1x	1x	6x	p52	6x31.007
1x	L 30mm		8x	n14	1x	1x	8x	d3	6x31.007
20x	d16	s2	30x	d1	1x	1x	1x	f3	z1
8x	d16	b119	30x	p25	2x	2x	44x	f1	f1
4x	d143	k1	12x	e1	12x	12x	12x	r16	s1



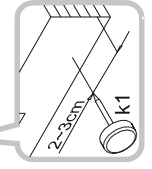
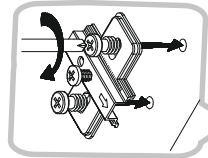
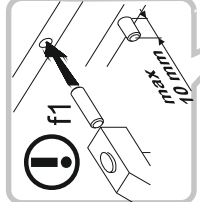
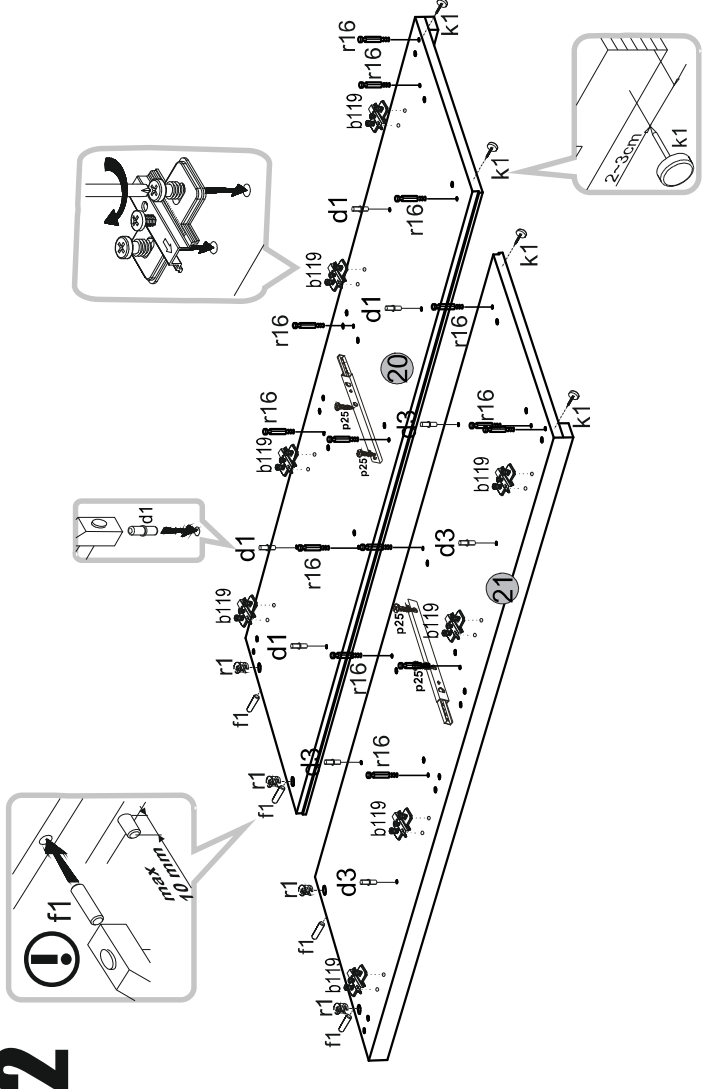
1



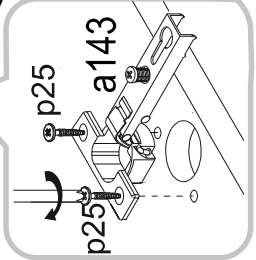
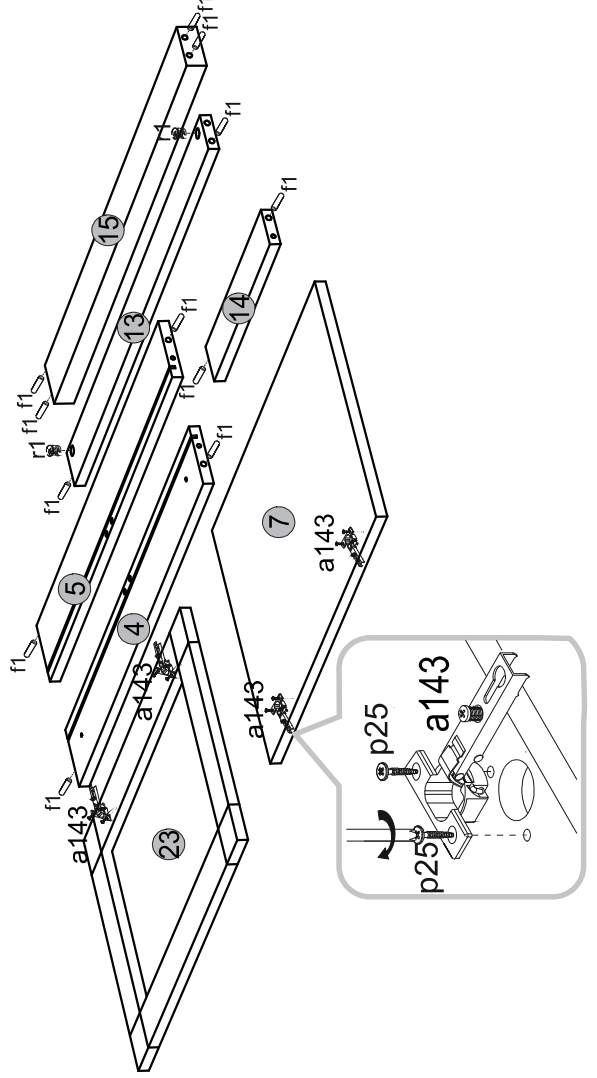
3



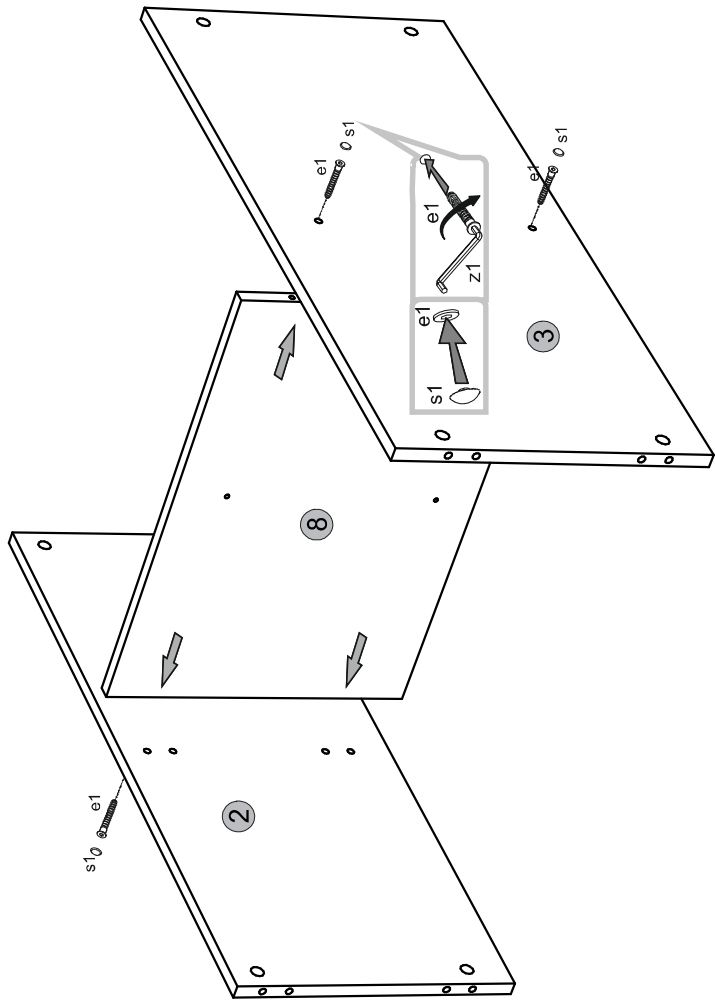
2



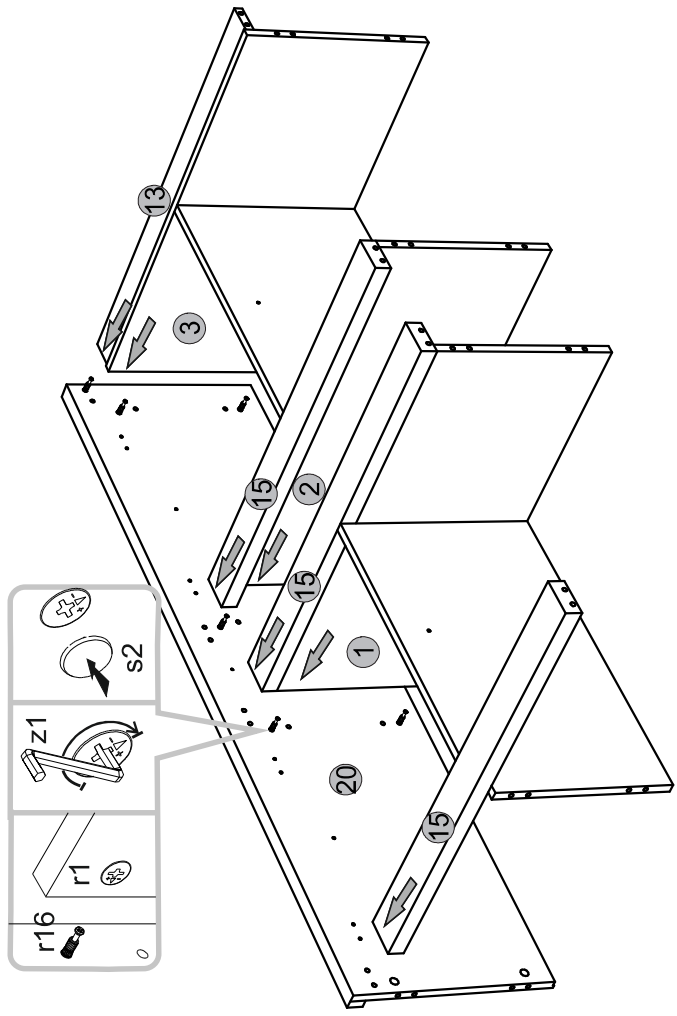
4



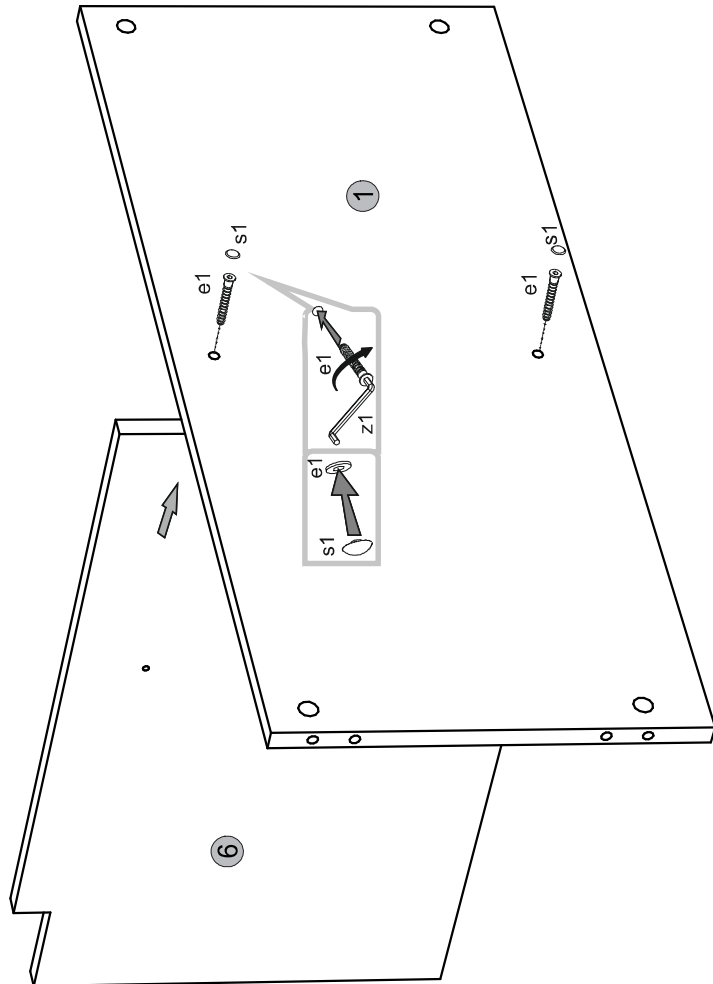
5



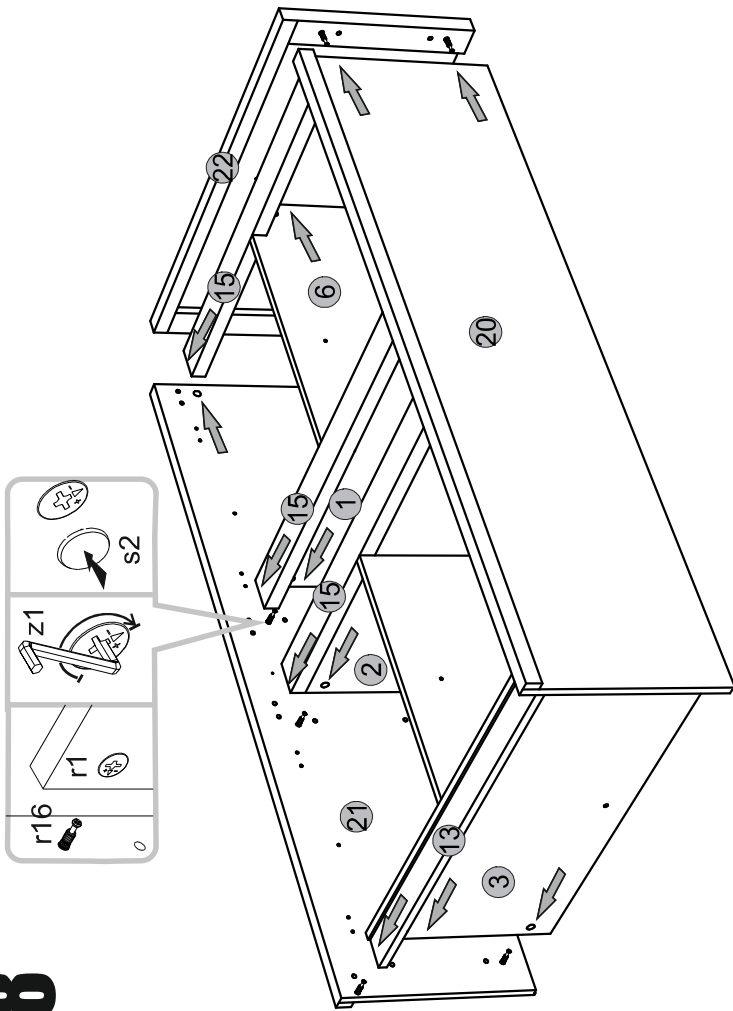
7



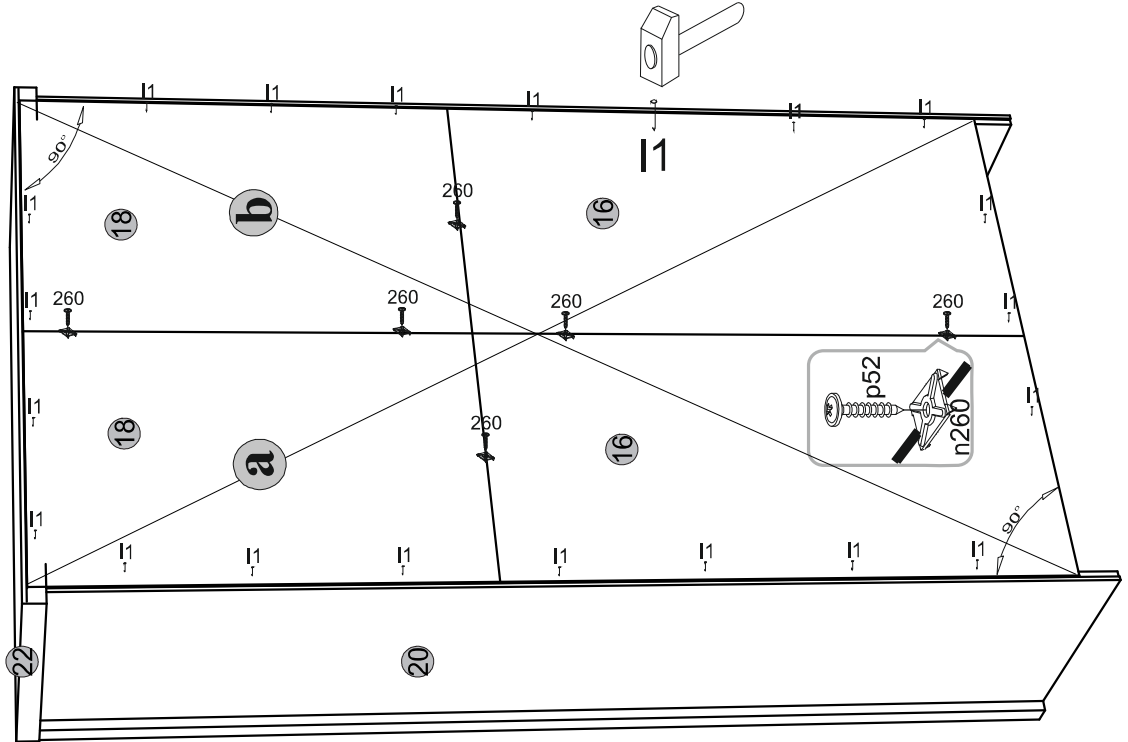
6



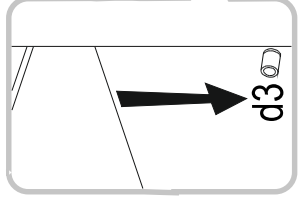
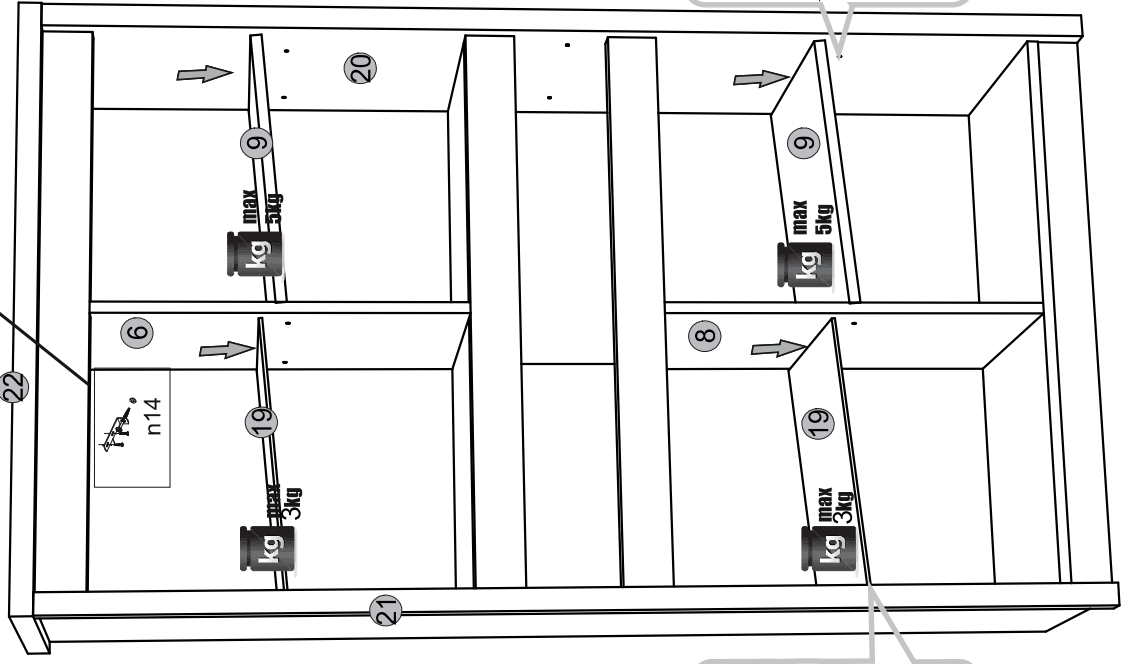
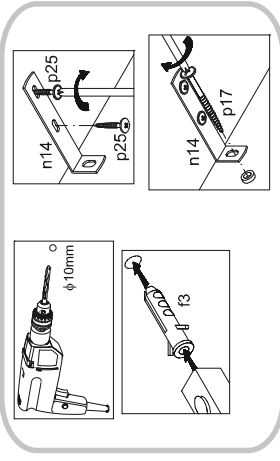
8



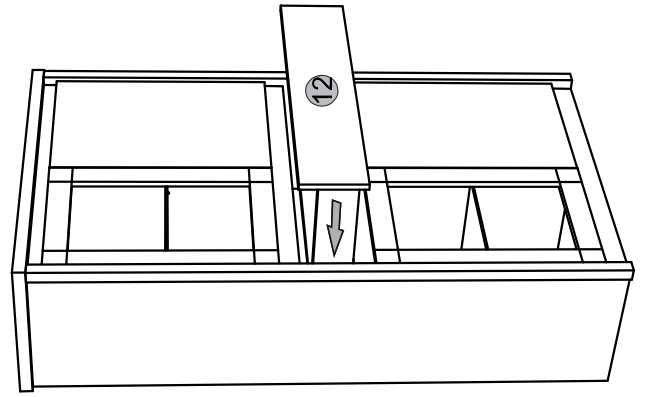
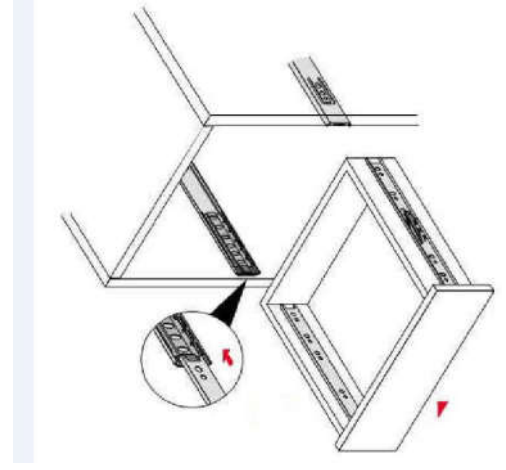
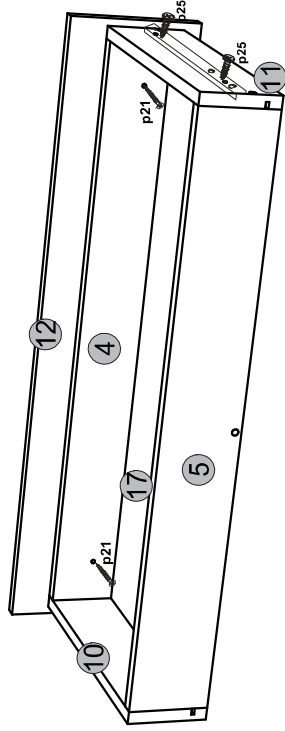
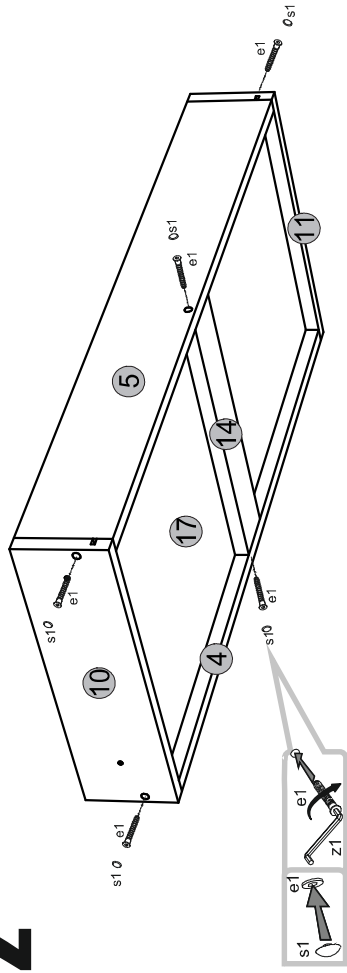
! a=b



!



12



11

